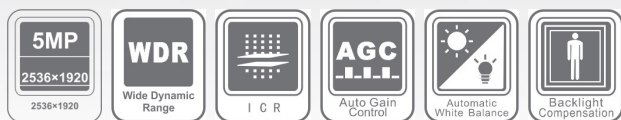


CP-UNC-BE51E-VMD

5MP WDR AI Box Camera

- 1/2.7" 5Megapixel Progressive scan CMOS (6.858 centimeters)
- Max. 20fps@(2592 × 1944), 50/60fps@1080P(1920 × 1080)
- H.265+ and H.264+ Encoding
- WDR(120dB), Day/Night (ICR), 3D-DNR, Defog, EIS, AWB, AGC, BLC, HLC
- C/CS Mount Lens
- Auto back focus (ABF) , Micro SD Card, PoE, ePoE
- 2/1 Alarm in/out, 1/1 audio in/out (Built-in Mic)
- Mobile Software: iCMOB, gCMOB
- CMS Software: KVMS Pro



System Overview

Understanding the need of the hour in the security and surveillance industry, this series has been integrated with the starlight technology along with efficient and powerful deep-learning algorithms to make your life hugely easier. The numerous AI-based smart functions of this camera let you capture a face, protect the perimeter and even count people, greatly improving the accuracy of your video analysis. This camera also complies with international certification standards such as IP67 and IK10, as this camera is not just dust-proof and water-proof but also shock-proof and vandal-proof (which is given in selected models).

Functions

Wide Dynamic Range (WDR)

When a scene is partly dark and partly bright, that is the dynamic range that distorts images due to this difference in the lighting. WDR technology provides you balanced lighting for a clear and vivid image throughout the day. WDR technology can be installed at entry/exit points of any building structure, jewellery shops, outdoor location among so many other places.



CP-UNC-BE51E-VMD

5MP WDR AI Box Camera

Functions

Smart Analytical Support

Using an advanced algorithm, smart analytical technology lets you set a multitude of safety parameters and sends you alerts when any of those parameters have been compromised. Not just when there's an occurrence of tripwire or intrusion, but also in the cases of missing or abandoned objects.

Live Viewing

Unlike some, this technology enables you to record the picture feed but view it live as well at your convenience. On top of that, the advantages of high-resolution video recording are numerous.

True Day/Night (ICR)

When the scene is too dark, the image is captured by illuminating an infrared light through the camera onto the scene that greatly helps with making the scene visible for the lens. It delivers color images during the day and automatically switches to the monochrome feature as the scene darkens.

Face Detection

With the help of the deep learning algorithm that is used in this technology, people can easily be detected, tracked, recorded, and captured. It takes only a second to detect one human face. This facial recognition technology uses biometrics to map facial features from a photograph or video and compares the information with a database of known faces to find a match.

Regions of Interest

Regions of Interest (ROI) is a user defined feature that allows the operator to monitor specific areas of a scene while still maintaining overall situational awareness of less important areas.

gCMOB/ iCMOB

Designed to allow users to access and control live streaming from CP PLUS IP Cameras, DVRs/ NVRs and Video Door Phones, the CP PLUS gCMOB/ iCMOB application offers a host of features such as Easy GUI, up to 16 live viewing split-ups; InstaOn cloud support; Playback; digital zoom ins; two-way talk, and more.

About CP PLUS

The brand that is on its way to lead the world when it comes to the security and surveillance industry, CP PLUS, keeps bombarding the market with the most reliable range of products that have been designed carefully and methodically to automate the whole surveillance and security process, no matter how big your premises are.

It was the initiative to help the public in the area where they are the most vulnerable and to empower the sense of safety in our hearts that had conceptualized CP PLUS. And embarking on its mission to make the world a safer and more secure place has taken the brand's journey to unprecedented levels even when compared to international competitors.



CP-UNC-BE51E-VMD

5MP WDR AI Box Camera

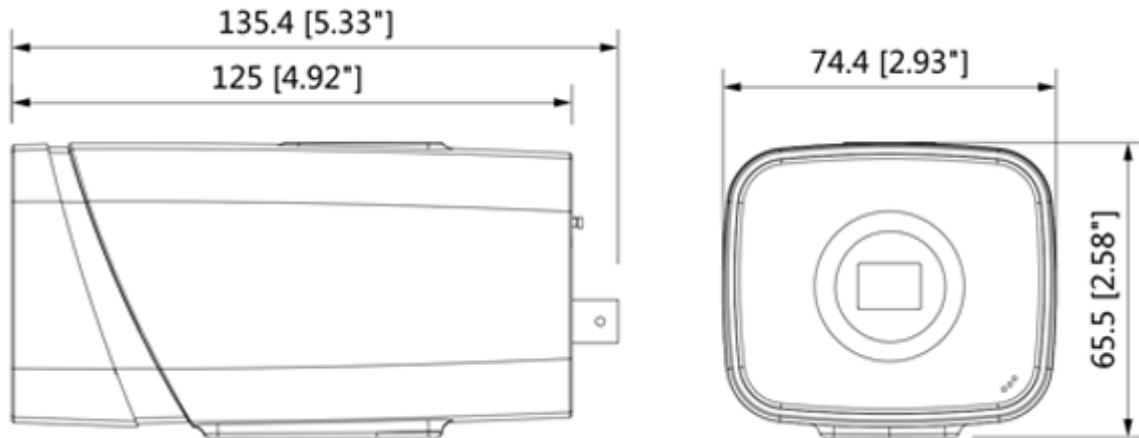
Feature	Specification
Image Sensor	1/2.7" 5Megapixel progressive scan CMOS (6.858cm)
Minimum Illumination	0.005 Lux@F1.7
Effective Pixels	2592 (H) × 1944 (V)
Shutter Speed	Auto/Manual, 1/3 s–1/100000 s
White Balance	Auto/Natural/Street Lamp/Outdoor/Manual
Lens	C/CS
Gain Control (AGC)	Auto/Manual
Video Compression	H.265+/H.265/H.264+/H.264/H.264B/ H.264H/ MJPEG (sub stream)
Mirror	Off/On
Back Light Compensation	BLC/HLC/WDR(120dB)
Streaming Capability	Quad Streams/ Three Streams
Quad Streaming	Main stream: 1080P@25fps ; Sub stream: 1080P@25fps Third stream: D1@25fps ; Fourth stream: D1@25fps
Three Streaming	Main Stream: 2592 × 1944 (1 fps–20 fps) 2560 × 1440 (1 fps–25/30 fps) 1920 × 1080 (1 fps–50/60 fps) Sub Stream: D1 (1 fps–20/30 fps) D1 (1 fps–50 fps) Third Stream: 1080P (1 fps–17 fps)
Resolution	2592 × 1944/2688 × 1520/2560 × 1440/2304 × 1296/1080P (1920 × 1080)/1.3M (1280 × 960)/720P (1280 × 720)/D1 (704 × 576/704 × 480)/VGA (640 × 480)/CIF (352 × 288/352 × 240)
Motion detection	Off/On (4 Zone, Rectangle)
Privacy Mask	Off/On (4 Area, Rectangle)
ICR	Auto (ICR)/Color/B/W
ROI	Off/On (4 Zone)
Audio Compression	G.711a, G.711Mu, G.726, AAC, G.723
Audio Input	1 Channel
Audio Output	1 Channel
Audio	Built-in Mic
Alarm IN	2 channel In: 5mA 5V DC

Feature	Specification
Alarm Out	1 channel Out: 1A 30V DC/0.5A 50V AC
Event Trigger	Motion detection, Video tampering , Scene changing, Network disconnection , IP address conflict, Illegal Access, Storage anomaly
People Counting	Support the counting of enter number, leave number, and pass number, and displaying and outputting yearly/monthly/daily reports. Support the counting of number in area, and 4 rules configuration. Count number of people or stay time and link alarm. Support queue management, and 4 rules configuration. Count number of people or stay time and link alarm.
Face Detection	Face detection; track; optimization; snapshot; report high quality picture; face enhancement; face exposure; face attribute extract, 6 attributes and 8 expressions: Gender, age, glasses, expressions (anger, calm, happiness, sadness, disgust, surprise, confusion and fear), mask, beard; face matting setting: face, single inch photo; three snapshot methods: real-time snapshot, optimization snapshot, quality priority; face angle filter; optimization time setting
Perimeter Protection	Tripwire; intrusion; fast moving (the three functions support the classification and accurate detection of vehicle and human); loitering detection; people gathering; parking detection
Alarm Event	No SD card; SD card full; SD card error; network disconnection; IP conflict; illegal access; motion detection; video tampering; Defocus Detection; scene changing; intrusion ;tripwire; abandoned object; missing object; fast moving; parking detection; loitering detection; people gathering; audio detection; people counting; face detection; People counting in area; Stay alarm; People No. exception detection; Queue Management
Protocol	IPv4;IPv6; HTTP; HTTPS; TCP; UDP; ARP; RTP; RTSP; RTCP; RTMP; SMTP; FTP; SFTP; DHCP; DNS; DDNS; QoS; UPnP; NTP; Multicast; ICMP; IGMP; NFS; PPPoE; 802.1x; SNMP, ONVIF (Profile S/ Profile G/T), P2P, CGI, Milestone
Smart Detection	Object Abandoned/Missing, Heat Map
Ethernet	RJ-45 (10/100Base-T)
User Account	20 Users
SDK and API	Yes
Interface Ports	1 RS485
Smart Phone	iPhone, iPad, Android Phone
Mirror	Yes
Micro SD	NAS; FTP; SFTP, Micro SD card 256GB
Browser	IE (versions newer than IE8), Chrome, Firefox, Safari (versions newer than Safari 12)
Operating Temperature	-30°C to +60°C (-22°F to +140°F)/Less than 95% RH
Power Source	DC 12V (±25%), AC 24V (±25%), PoE (802.3af), ePoE

Feature	Specification
Power Out	165mA 12V DC
Power Consumption	<9.2W
Dimension	135.4 mm × 74.4 mm × 65.5 mm
Casing	Metal
Weight	0.53 kg

***Note - Different Firmware Applicable for Both Streaming (Quad/Three Streams)**

Dimensions (mm/inch)



Accessories : Optional



CP-UA-B08W
Wall Mount